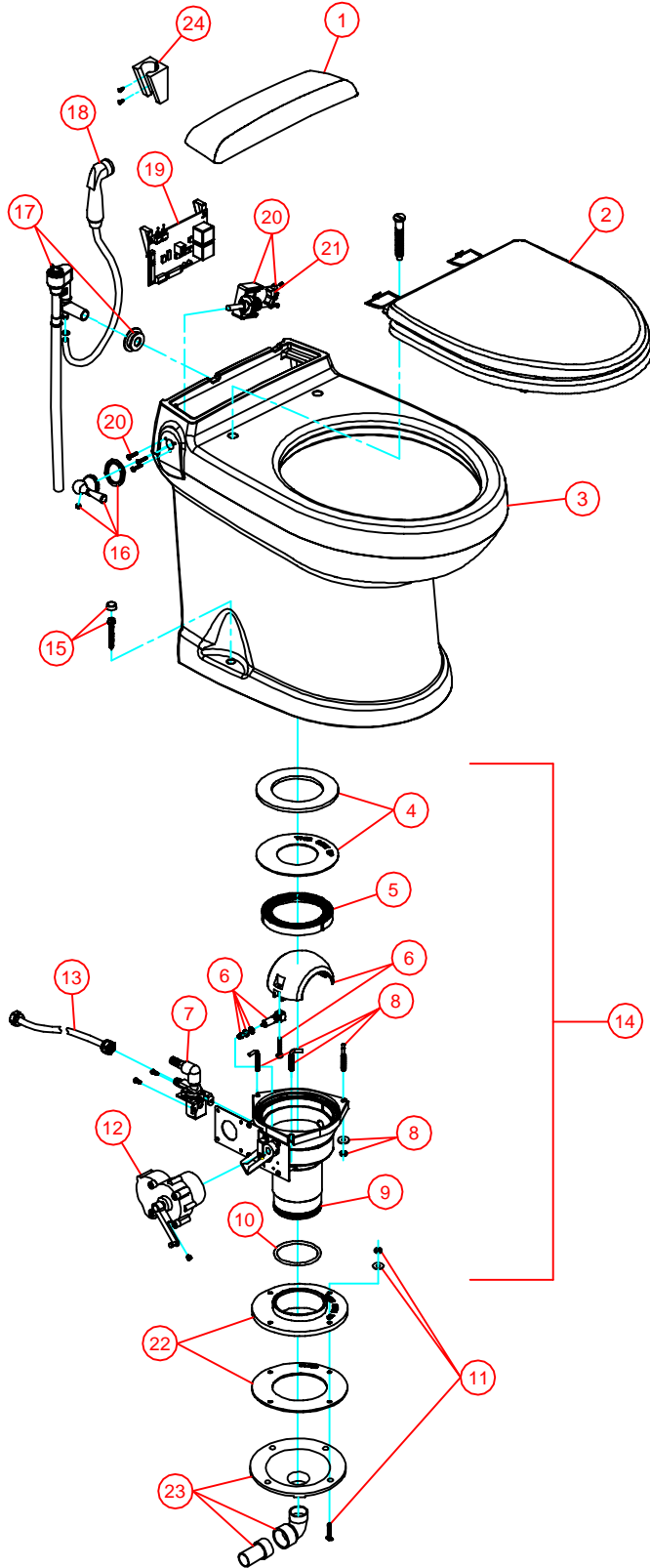


PARTS LIST: 3309 PLUG IN BASE

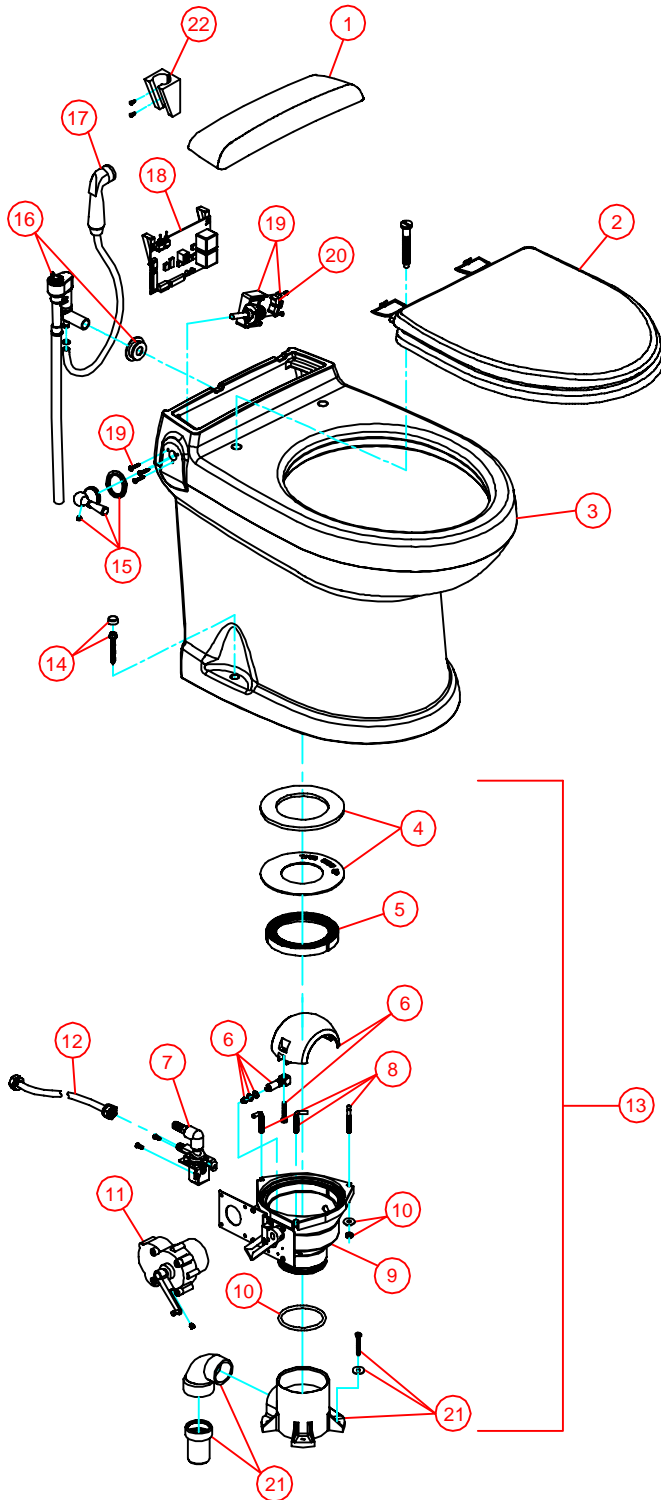


ITEM	PART NUMBER	DESCRIPTION
1	385311001	ACCESS COVER, WHITE
	385311002	ACCESS COVER, BONE
2	385311005	SEAT & COVER - WHITE
	385311006	SEAT & COVER - BONE
3	385311007	CHINA BOWL, WHITE
	385311008	CHINA BOWL, BONE
4	385311009	KIT, SEAL PLUG IN BASE
5	600343534	RING, BASE INSERT
6	385310969	SHAFT/ HALF BALL KIT
7	385310821	WATER VALVE w/MOUNTING SCREWS (12VDC)
	385310845	WATER VALVE w/MOUNTING SCREWS (24VDC)
8	385311011	L- BOLTS/NUTS /WASH/ PLUG IN BASE
9	385311051	BASE PLUG IN (inc. item 8 - 10)
10	600344609	ORING 3.1 X 3.5 X .21
11	385310064	MOUNTING KIT
12	385310822	MOTOR & MOUNTING HARDWARE (12VDC)
	385310846	MOTOR & MOUNTING HARDWARE (24VDC)
13	385311018	SUPPLY HOSE
14	385311050	COMPLETE BASE PLUG IN 12VDC (INCLUDES ITEMS 4-11 & 13)
	385311170	COMPLETE BASE PLUG IN 24VDC (INCLUDES ITEMS 4-11 & 13)
15	385310679	MOUNTING KIT - WHITE
	385310785	MOUNTING KIT - BONE
16	385310962	FLUSH HANDLE WITH SET SCREW, CHROME
	385310963	FLUSH HANDLE WITH SET SCREW, GOLD
	385311141	FLUSH HANDLE WITH SET SCREW, NICKLE
17	385310807	VACUUM BREAKER KIT
	385310808	VACUUM BREAKER KIT - WITH SPRAY
18	385310809	HAND SPRAY
19	385310888	CONTROL MODULE 12VDC
	385310890	CONTROL MODULE 24VDC
20	385310964	FLUSH CONTROL ASSEMBLY w/CABLE
21	385310965	ROCKER SWITCH w/CABLE
22	385311013	FLOOR FLANGE ADAPTER KIT
23	385318864	FLOOR FLANGE KIT (inc. item 11)
24	385311131	SPRAY BRACKET
N/S	385310854	ACCESS COVER MOUNTING KIT



Dometic Corporation - Sanitation Systems
13128 State Rt. 226, P.O. Box 38
Big Prairie, OH 44611-0038 USA
Telephone: 330-496-3211
Fax: 330-496-3097
Email: sealand@dometicusa.com

PARTS LIST: 3348 PLUG IN BASE



ITEM	PART NUMBER	DESCRIPTION
1	385311001	ACCESS COVER, WHITE
	385311002	ACCESS COVER, BONE
2	385311005	SEAT & COVER - WHITE
	385311006	SEAT & COVER - BONE
3	385311007	CHINA BOWL, WHITE
	385311008	CHINA BOWL, BONE
4	385311009	KIT, SEAL PLUG IN BASE
5	600343534	RING, BASE INSERT
6	385310969	SHAFT/ HALF BALL KIT
7	385310821	WATER VALVE w/MOUNTING SCREWS (12VDC)
	385310845	WATER VALVE w/MOUNTING SCREWS (24VDC)
8	385311011	L- BOLTS/NUTS /WASH/ PLUG IN BASE
9	385311052	BASE PLUG IN (inc. item 8 - 10)
10	600344609	ORING 3.1 X 3.5 X .21
11	385310822	MOTOR & MOUNTING HARDWARE (12VDC)
	385310846	MOTOR & MOUNTING HARDWARE (24VDC)
12	385311018	SUPPLY HOSE
13	385311054	COMPLETE BASE PLUG IN 12VDC (INCLUDES ITEMS 4 -11 & 13)
	385311055	COMPLETE BASE PLUG IN 24VDC (INCLUDES ITEMS 4 -11 & 13)
14	385310679	MOUNTING KIT - WHITE
	385310785	MOUNTING KIT - BONE
15	385310962	FLUSH HANDLE WITH SET SCREW, CHROME
	385310963	FLUSH HANDLE WITH SET SCREW, GOLD
	385311141	FLUSH HANDLE WITH SET SCREW, NICKLE
16	385310807	VACUUM BREAKER KIT
	385310808	VACUUM BREAKER KIT - WITH SPRAY
17	385310809	HAND SPRAY
18	385310888	CONTROL MODULE 12VDC
	385310890	CONTROL MODULE 24VDC
19	385310964	FLUSH CONTROL ASSEMBLY w/CABLE
20	385310965	ROCKER SWITCH w/CABLE
21	385311056	FLOOR FLANGE ADAPTER KIT
22	385311131	SPRAY BRACKET
N/S	385310854	ACCESS COVER MOUNTING KIT



Dometic Corporation - Sanitation Systems
 13128 State Rt. 226, P.O. Box 38
 Big Prairie, OH 44611-0038 USA
 Telephone: 330-496-3211
 Fax: 330-496-3097
 Email: sealand@dometicusa.com