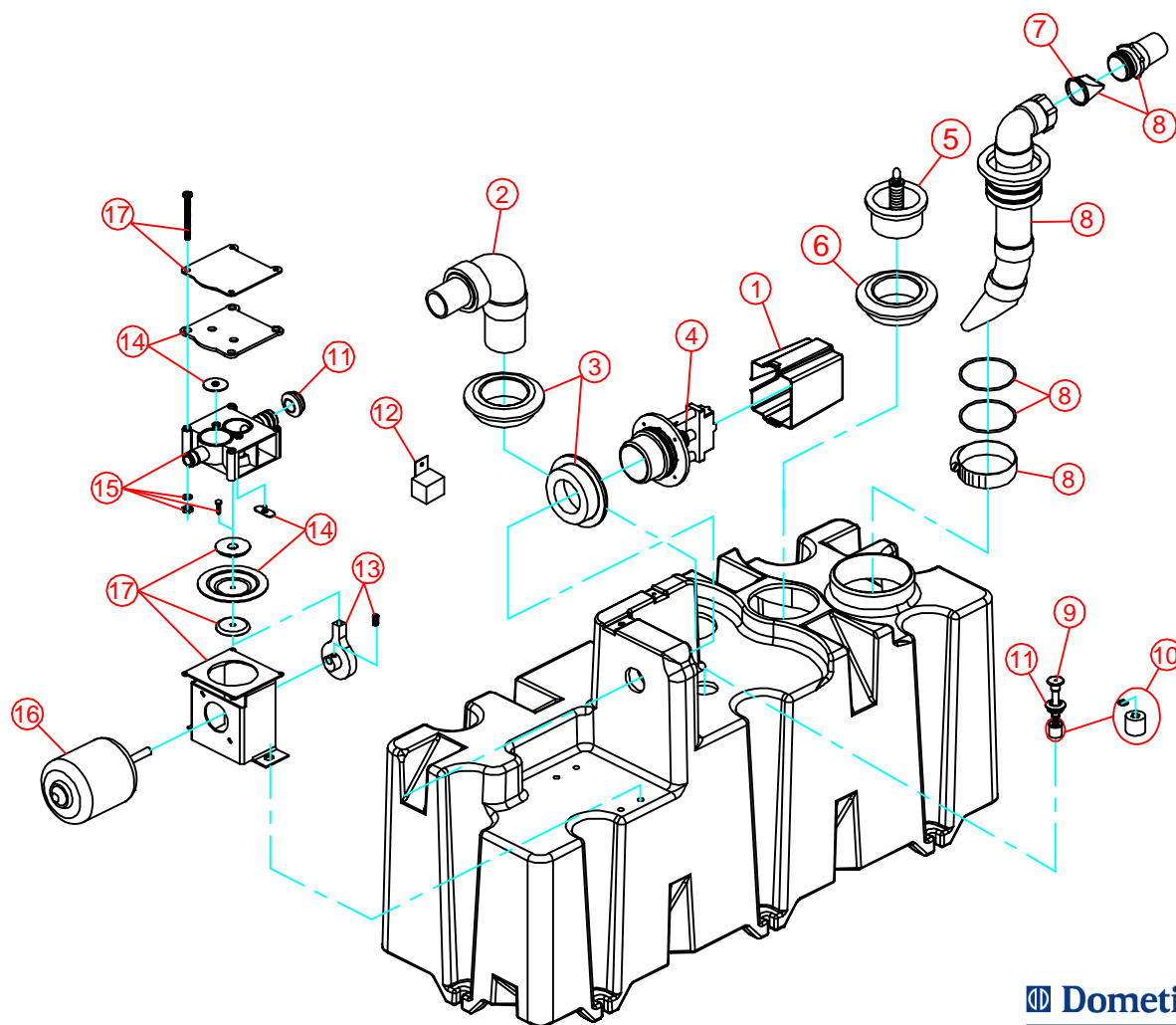


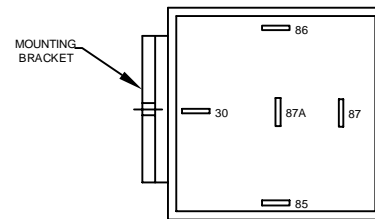
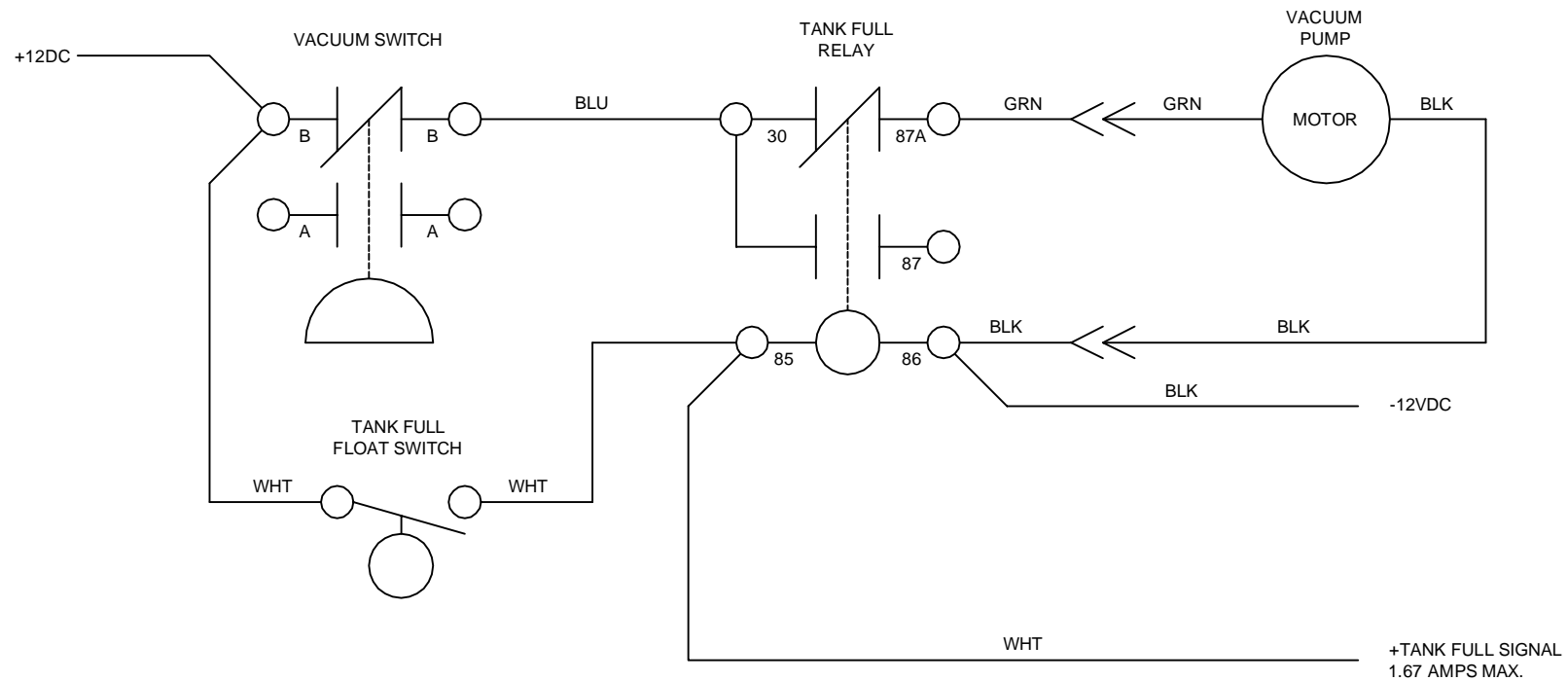
PARTS LIST: VACUUM HOLDING TANK MODEL - 317769012

ITEM	PART NO.		ITEM	PART NO.	DESCRIPTION
1	385311215	KIT, SNAP-ON VAC SWITCH COVER	10	385311103	SWITCH FLOAT & LOCK RING
2	385310635	INLET ELBOW KIT (INCLUDES ITEM 3)	11	385311164	1/2" SEALING GROMMET
3	385311111	1-1/2" SEALING GROMMET	12	600343053	RELAY, SPDT 12VDC 40/30AMP VF4
4	385310626	SWITCH ASSEMBLY KIT (INCLUDES ITEM 3)	13	385310631	CONNECTING ROD KIT
5	385310627	VACUUM RELIEF VALVE KIT (INCLUDES ITEM 6)	14	385311040	VALVE REPLACEMENT KIT
6	385311110	2" SEALING GROMMET	15	385310633	AIR PUMP BODY KIT (INCLUDES ITEM 14)
7	385310076	KIT, DUCKBILL VALVE	16	385310664	AIR PUMP MOTOR
8	385310628	KIT, DIPTUBE ASSY (ELBOW)-VHT	17	385310642	VHT AIR PUMP COMPLETE (INCLUDES ITEMS 13,14,15,16)
9	385310629	KIT, FULL INDICATOR-VHT (INCLUDES ITEM 11)			



Dometic Corporation - Sanitation Systems
13128 State Rt. 226, P.O. Box 38
Big Prairie, OH 44611-0038 USA
Telephone: 330-496-3211
Fax: 330-496-3097
Email: sealand@dometicusa.com

VACUUM HOLDING TANK WIRING SCHEMATIC



BOTTOM VIEW OF RELAY



Dometic Corporation - Sanitation Systems
13128 State Rt. 226, P.O. Box 38
Big Prairie, OH 44611-0038 USA
Telephone: 330-496-3211
Fax: 330-496-3097
Email: sealand@dometicusa.com