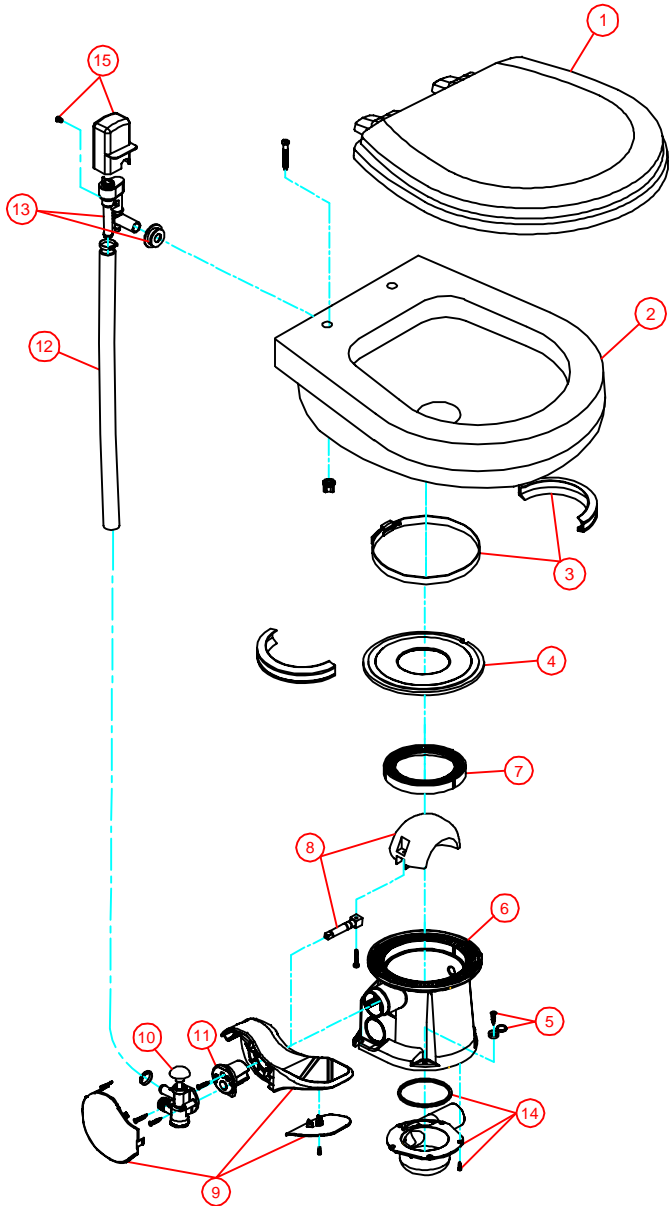


PARTS LIST: ECOVAC 147-148-149



ITEM	PART NUMBER			DESCRIPTION
	147	148	149	
1	385344436	385344436	385344436	SEAT ASSEMBLY, WHITE
	385344437	385344437	385344437	SEAT ASSEMBLY, BONE
2	385310676	385310676	385310676	CHINA BOWL KIT, WHITE
	385310781	385310781	385310781	CHINA BOWL KIT, BONE
3	385310025	385310025	385310025	BAND AND HALF CLAMP, KIT WHITE
	385310048	385310048	385310048	BAND AND HALF CLAMP, KIT BONE
4	385310677	385310677	385310677	SEAL REPLACEMENT , KIT
5	385310679	385310679	385310679	MOUNTING HARDWARE - WHITE
	385310785	385310785	385310785	MOUNTING HARDWARE - BONE
6	385310685	385310686	385310975	BASE KIT , WHITE (inc. items 3-11 & 14)
	385310783	385310784	385310976	BASE KIT , BONE (inc. items 3-11 & 14)
7	385311292	385311292	385311292	BASE RING
8	385310681	385310681	385310681	KIT,BALL,SHAFT & CART, WHITE (inc. item 11)
9	385310682	385310682	385310682	PEDAL KIT, WHITE (inc. item 11)
	385310762	385310762	385310762	PEDAL KIT, BONE (inc. item 11)
10	385314349	385314349	385314349	WATER VALVE, KIT
11	385310683	385310683	385310683	SPRING CARTRIDGE, KIT
12	385340177	385340177	385340177	HOSE, SUPPLY - BONE.
	385345377	385345377	385345377	HOSE, SUPPLY - WHITE
13	385310687	385310687	385310687	VACUUM BREAKER, KIT
14	385310680	385310680	385310936	DISCHARGE KIT
15	385310696	385310696	385310696	VACUUM BREAKER COVER WHITE
	385310782	385310782	385310782	VACUUM BREAKER COVER BONE

TOILET MODEL	DISCHARGE LOCATION
147	OPPOSITE PEDAL
148	REAR OF TOILET
149	UNDER PEDAL



Dometic Corporation - Sanitation Systems
13128 State Rt. 226, P.O. Box 38
Big Prairie, OH 44611-0038 USA
Telephone: 330-496-3211
Fax: 330-496-3097
Email: sealand@dometicus.com