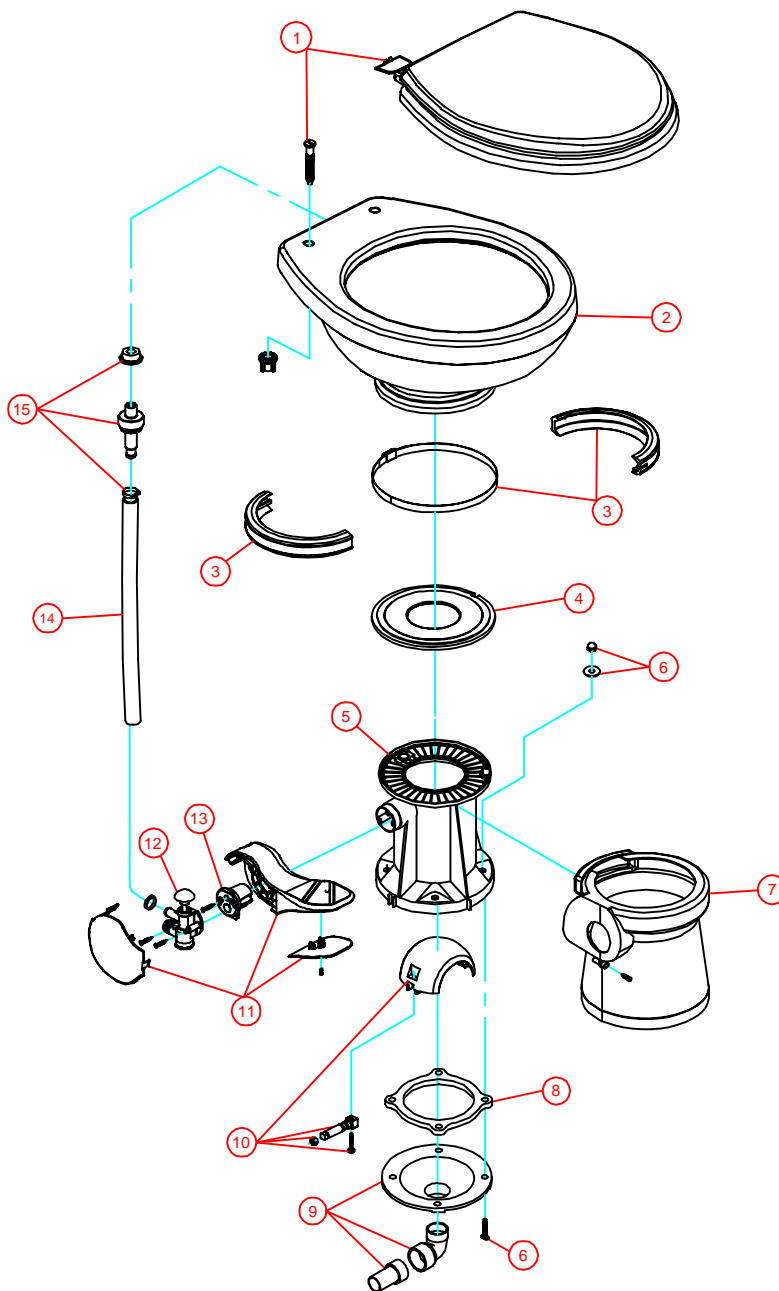


# PARTS LIST: VACUFLUSH 5009

ITEM	PART NO.	DESCRIPTION	ITEM	PART NO.	DESCRIPTION
1	385343829	SEAT & LID ASSEMBLY, WHITE	8	385310063	FLOOR FLANGE SEAL KIT (inc. item 6)
	385343831	SEAT & LID ASSEMBLY, BONE	9	385318864	FUNNEL KIT (inc. items 6 & 8)
2	385311079	CHINA BOWL, WHITE	10	385310681	BALL/SHAFT/CARTRIDGE KIT (inc. item 11)
	385311080	CHINA BOWL, BONE	11	385310682	FLUSH PEDAL KIT-WHITE (inc.item11)
3	385310048	HALF CLAMP KIT, BONE		385310762	FLUSH PEDAL KIT-BONE (inc.item11)
4	385310677	BASE SEAL KIT	12	385314349	WATER VALVE KIT
5	385311081	BASE KIT, WHITE (inc. items 3-13)	13	385310683	SPRING CARTRIDGE KIT
	385310978	BASE KIT, BONE (inc. items 3-13)	14	385345377	SUPPLY HOSE, WHITE
6	385310064	MOUNTING KIT		385340177	SUPPLY HOSE, BONE
7	385310111	PEDESTAL COVER KIT, WHITE	15	385311083	CHECK VALVE KIT
	385310112	PEDESTAL COVER KIT, BONE			



Dometic Corporation - Sanitation Systems  
 13128 State Rt. 226, P.O. Box 38  
 Big Prairie, OH 44611-0038 USA  
 Telephone: 330-496-3211  
 Fax: 330-496-3097  
 Email: sealand@dometicusa.com